

**ATAG**



**ATAG**

- Q Top quality
- Q Fast, plentiful hot water
- Q 5-year guarantee on the heat exchanger
- Q 5-year guarantee on parts
- Q No waiting time for hot water due to the integrated cylinder
- Q Continuous high efficiency (Stainless Steel)

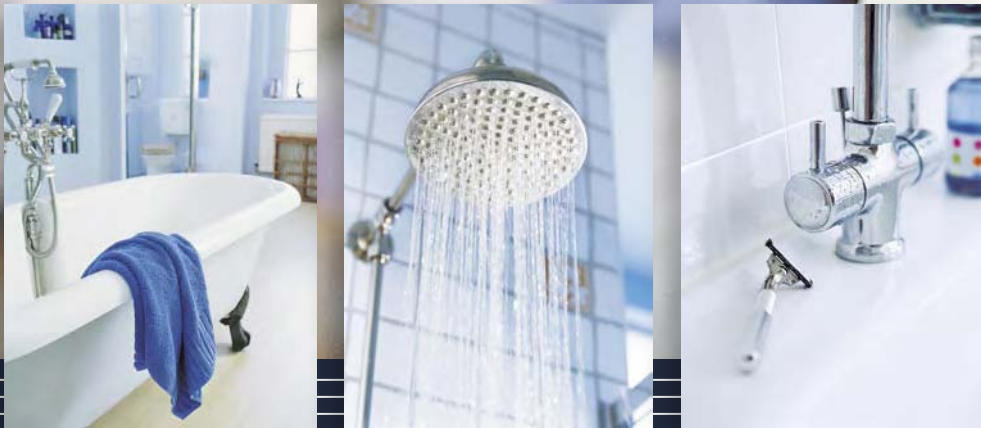
**ATAG**

CH Boilers

# Be assured of ATAG's reliability

**ATAG**

It's good to wake in the morning confident that your ATAG appliance is at the right temperature with everything regulated exactly in accordance with your wishes without you even having to think about it. Every day, summer or winter, ATAG's reliable technology is at your service.



Long guaranteed lifespan

One of the first human requirements, besides food and drink, is warmth and safety. The choice of an ATAG Q to provide this is obvious. 24 hours per day, year in, year out, ATAG provides the heat you want. Quietly and reliably.

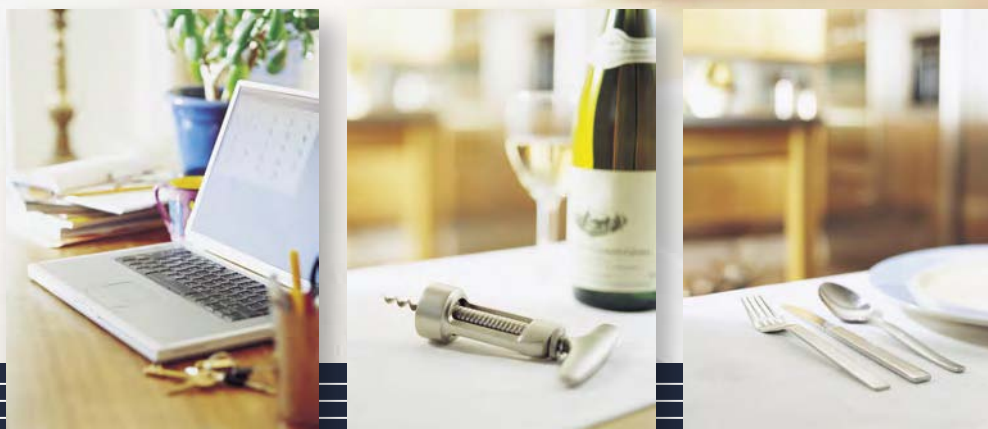
2 That is why ATAG also guarantees this heat for many years. A 5 year guarantee on parts and 5 years on the heat exchanger is offered as standard. It is not without good reason that ATAG CH boilers when subjected to rigorous tests came out top in the Netherlands, Germany and Belgium!

Long guaranteed lifespan

## Q ATAG

Heat also has quality. ATAG only recognises the highest form of quality in heat, ATAG comfort. That level of comfort is provided to you by the new CH boiler from ATAG, the ATAG Q. The new standard for quality.

A CH boiler is necessary to you 24 hours per day, therefore, confidence in the product is vital. ATAG builds products from reliable components that are able to provide top performance for years. The heart of the boiler is manufactured using top quality stainless steel, which though subjected to great variations during its working life retains its original integrity, even after decades. Performance and yield therefore remain constantly high.

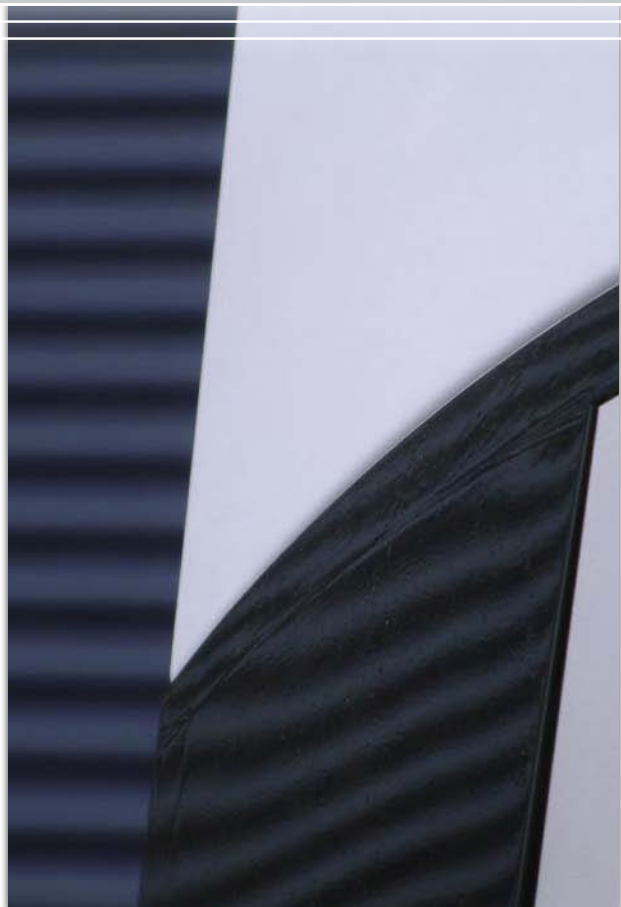


### Custom heating

Everyone's home is unique to them.

ATAG has a CH boiler that matches your heat requirements perfectly. Whether you live in a detached house with a number of bathrooms, mega-showers and a swimming pool or you are in a small apartment with one shower.

## Custom heating

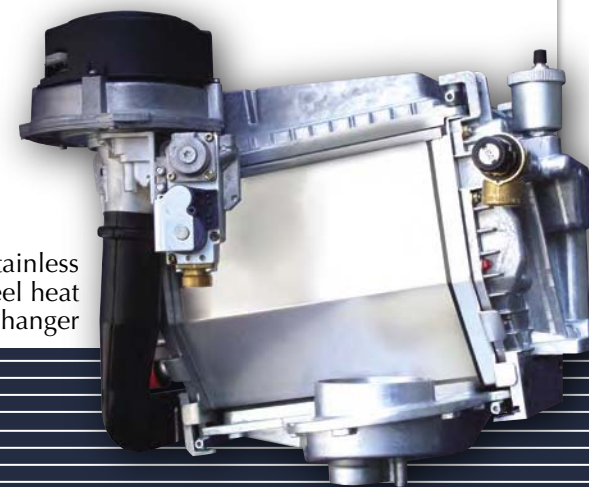


## Top quality

The boiler is constructed from quality components. Components that have been tested thoroughly for their functionality, quality and durability. Specially constructed test units stretch the components to their limits. ATAG guarantees the quality. You do not want to have any worries about your CH boiler, do you? At the heart of the boiler is the new state-of-the-art heat exchanger. Well-thought-out and reliable techniques in combination with high-quality stainless steel make the heat exchanger an extremely strong core component.

## Fast and plentiful hot water

The combination boilers in the new Q series now provide hot water that is even more plentiful. As the only one of its type, the Q51C boiler provides 23.2 litres/min. of water at 38°C on a continuous basis. Your bath filled within 5 minutes (100L) or a deluge in your mega-shower. Its 'little brother' also supplies more than enough hot water: the Q38C: 16.6 litres/min.



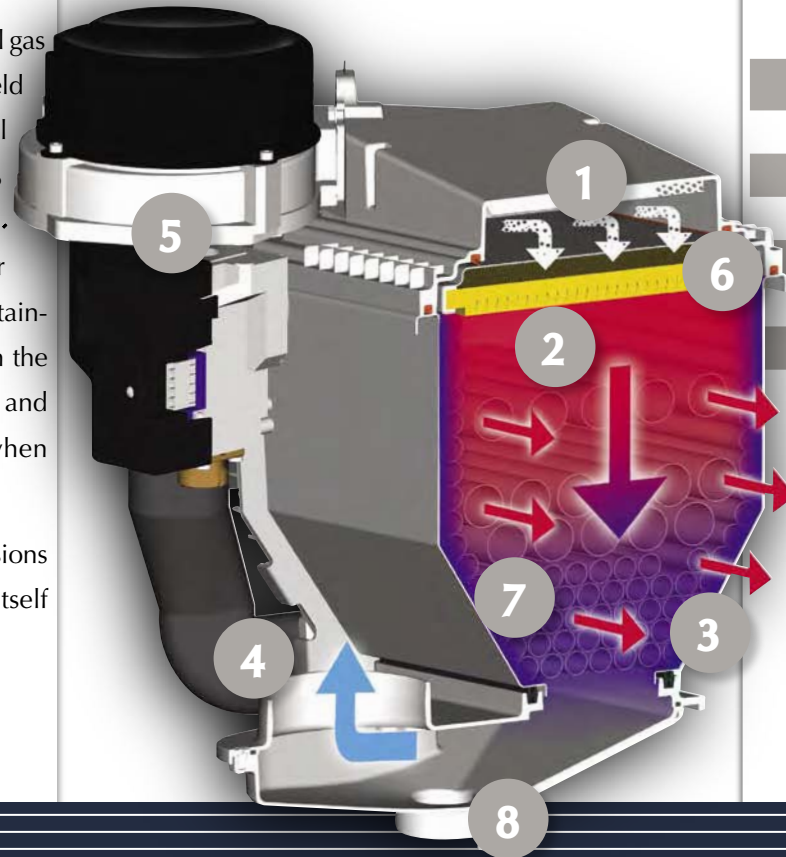
Stainless steel heat exchanger

# Choose stainless steel for quality and durability **ATAG**

## High efficiency

ATAG CH boilers obtain so much heat from natural gas that even the highest possible Gas Inspection yield is exceeded. By allowing the flue gases to cool (= heat extraction) a yield of no less than 110.9% (RAL UZ61 efficiency measurement at 23-26°C) is obtained. This yield remains unchanged for the lifespan of the ATAG Q through the use of stainless steel smooth pipes for direct heat transfer in the heat exchanger. The ATAG Q is also efficient and economical with our precious natural gas when producing hot water.

This unique concept, which results in low emissions and super-high efficiency, has been proving itself since 1996.



## Stainless steel heat exchanger

- 1 Gas-air mix
- 2 Combustion of the gas-air mix
- 3 Hot CH water
- 4 Flue gases
- 5 Gas-air regulation
- 6 Upsidedown ceramic burner
- 7 Smooth stainless steel pipes
- 8 Condensate outlet

The boiler has a modulating burner control. This means that the boiler precisely matches its burner capacity to the heat requirement.



### Design

ATAG does not only take technology into consideration. Looks are also important and that is why the housing has been specially designed. This means that the boiler can be mounted somewhere other than the attic, where the ATAG Q becomes a piece of design furniture.

Continuous high efficiency

# Why choose ATAG?

**ATAG**



## Super Economical

Having read about the features of the Q you will, of course, have been convinced that the new ATAG Q is super economical. We can summarise it all for you:

- Continuous high efficiency due to the use of stainless steel
- Efficient supply of hot water
- Heat when you want it with the ATAG BrainQ
- External temperature sensor (option)

With energy prices at their current levels and further rises expected in the near future, significant cost savings can be made, over that of a standard high efficient boiler.

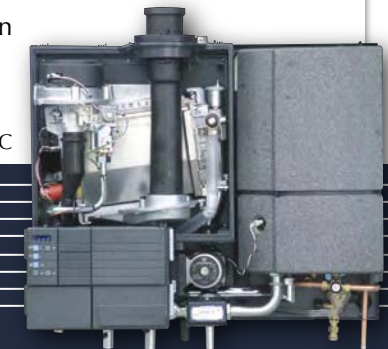
Over the life span of the boiler it is realistic to expect a saving of several thousand pounds.

The ATAG Q is also extremely suitable for use in combination with a solar system for 'free' hot water.

## Great Comfort

ATAG CH boilers supply heat as you want it and when you want it. In combination with the new Q series of (clock) thermostats you can gain the maximum from the ATAG Q. On the illuminated display of the BrainQ digital clock thermostat you can read off important information and the status of the ATAG Q can be easily retrieved using a push button and rotating knob. If an external temperature sensor is connected then you can even see the minimum and maximum temperatures for the last 24 hours. That is all very well but what is more important is that these temperatures are an important source of information in determining the 'heating behaviour' of your CH boiler. This saves you even more gas and you can regulate your CH even more comfortably.

Interior of the ATAG Q38C



Made in Holland

ATAG has been manufacturing gas equipment since 1948. Comfort, durability, performance, safety and design were the basic principles then and they are the same now in all ATAG products. Nowadays ATAG Heating operates as a Dutch manufacturer of heating products in more than 15 European countries.

**Q**  
**ATAG**

Made in Holland

## Thermostats

ATAG has a solution for every situation when it comes to controlling climate and hot water supply.

### BrainQ

The ATAG BrainQ is a user-friendly digital thermostat with various programmes. As it controls the ATAG Q, the BrainQ gets to 'know' your home so that you heat as efficiently as possible and do not have to make manual adjustments.



### Smart

The ATAG Smart thermostat offers the easiest operation possible of your CH installation. Like the BrainQ, the Smart communicates with your CH boiler and finds the best way to heat.



Ask for details of these ATAG products.



ATAG Cascade

## ATAG Cascade

With a heat requirement of more than 60kW, a cascade is the solution. In a cascade, multiple boilers are connected to each other. By doing this, a reliable, compact and highly efficient, installation is made. The available power output can be taken far above 500kW.

### Optimum controls

ATAG boilers owe part of their super high efficiency to modulating techniques. To put this to full use the ATAG Cascade controller is used to control the boilers. This controller equally modulates the heat requirements of the installation at the highest possible efficiency.

### Domestic Hot Water

The cascade system can also be used as a separate solution for the provision of domestic hot water. Not only can you choose an indirect fired cylinder but also a solar system, which will increase your gas savings.

For detailed information see the documentation ATAG Cascade.

# Which appliance is suitable for you?



## ATAG Q-Boiler series

Type		Combi			Solo			
		Q25C	Q38C	Q51C	Q25S	Q38S	Q51S	Q60S
Input Hs CH	kW	25	38	51	25	38	51	60
Qn Input Hi CH	kW	22,5	34,2	45,9	22,5	34,2	45,9	54
Efficiency according EN677 (36/30°C part load, Hi)	%	109,7	109,1	109,3	109,7	109,1	109,3	109,3
Efficiency according EN677 (80/60°C full load, Hi)	%	97,5	97,4	97,3	97,5	97,4	97,3	97,3
Modulation range CH (capacity 80/60°C)	kW	6.0 - 21.9	6.0 - 33.3	8.8 - 44.7	4.4 - 21.9	6.0 - 33.3	8.8 - 44.7	8.8 - 52.5
Modulation range CH (capacity 50/30°C)	kW	6.8 - 23.9	6.8 - 36.3	9.8 - 48.7	4.9 - 23.9	6.8 - 36.3	9.8 - 48.7	9.8 - 57.3
Gas consumption G20 CH (DHW) (at 1013 mbar/15°C)	m <sup>3</sup> /h	2,38 (3,33)	3,62	4,86	2,38	3,62	4,86	5,71
Degree of protection acc. EN 60529		IPX0D						
Weight (empty)	kg	76	84	94	50	53	64	64
Width	mm	840	840	1000	500	500	660	660
Height	mm	680						
Depth	mm	370						
Available pump head CH	kPa	29	20		32	22		
Label		Sedbuk A						
DHW flow (at 38°C)	l/min	13,5	16,6	23,2				
DHW flow (at 60°C)	l/min	7,5	9,5	13,0				
DHW temperature (Tin=10°C)	°C	60	60	60				

Your ATAG consultant:

We could tell you a lot more about the new ATAG Q but the ultimate pleasure of this new heart for your home can only be experienced by having your fitter install an ATAG Q. Look at [www.atagheating.co.uk](http://www.atagheating.co.uk) to find a dealer in your neighbourhood.

